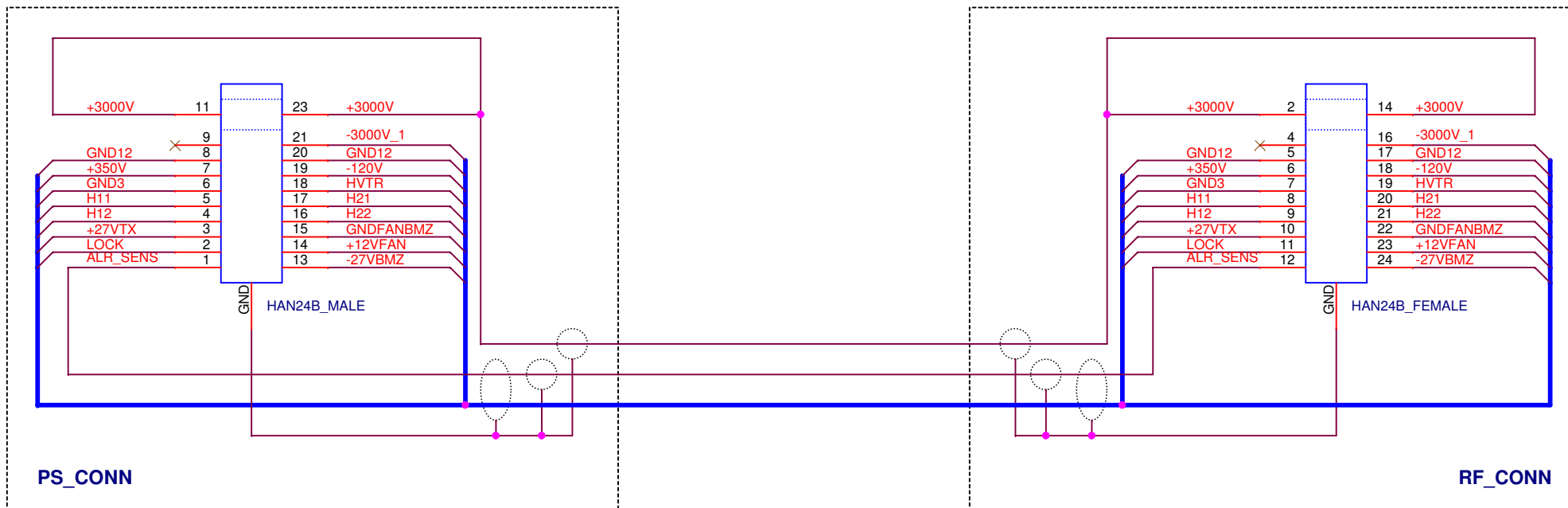
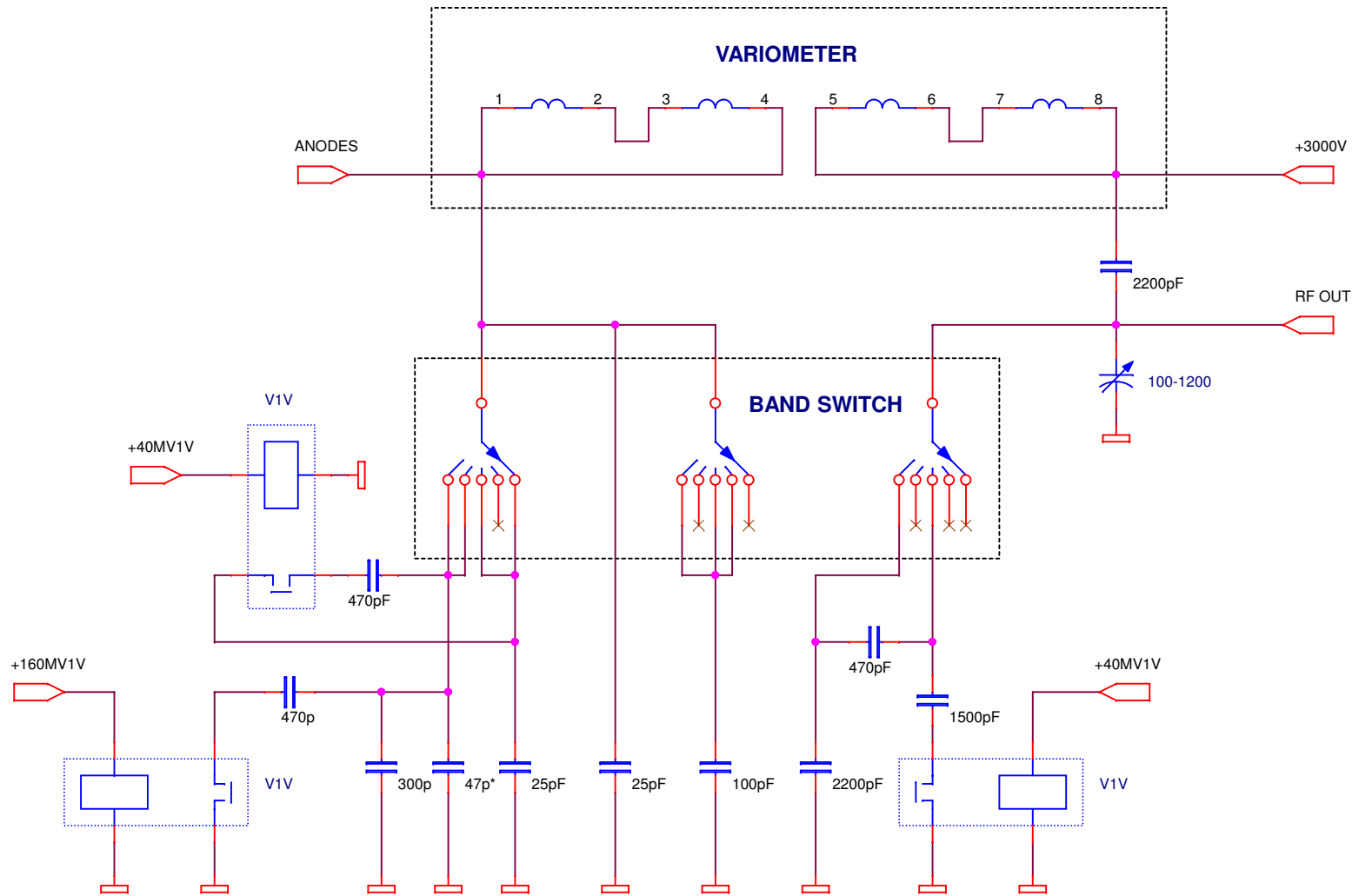


Провод	Сигнал	Сигнал	Провод
BB	X +HV	X +HV	BB
ОПЛЕТКА	X -HV (HVGND)	X -HV (HVGND)	ОПЛЕТКА
2	GNDCHASSIS	GNDCHASSIS	2
1	+350V	-150V	1
2	GNDCHASSIS	HVTR	2
2	HEATER1A	HEATER1A	2
2	HEATER1B	HEATER2B	2
1	+27VTX	GNDFANBMZ (-12VFAN, +27VBMZ)	2
1	LOCK (REM, BMZ, FAN)	+12VFAN	2
1	ALR_SENS	-27VBMZ	2

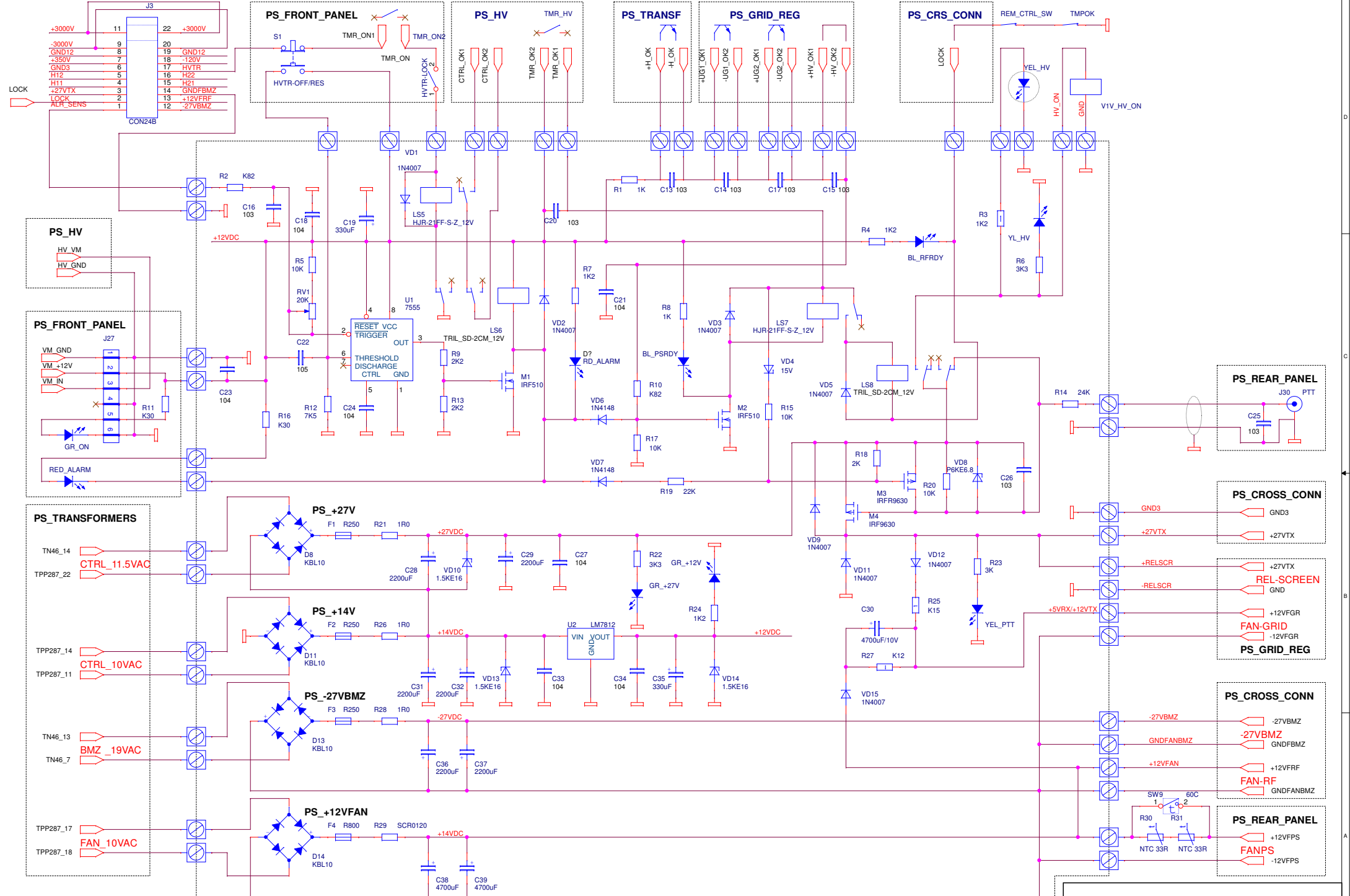
**ВИД НА РАЗЪЕМЫ СО СТОРОНЫ СОЕДИНИТЕЛЬНОГО КАБЕЛЯ**  
 =====  
**ВИД НА ПАНЕЛЬНЫЕ РАЗЪЕМЫ СО СТОРОНЫ "УЛИЦЫ"**



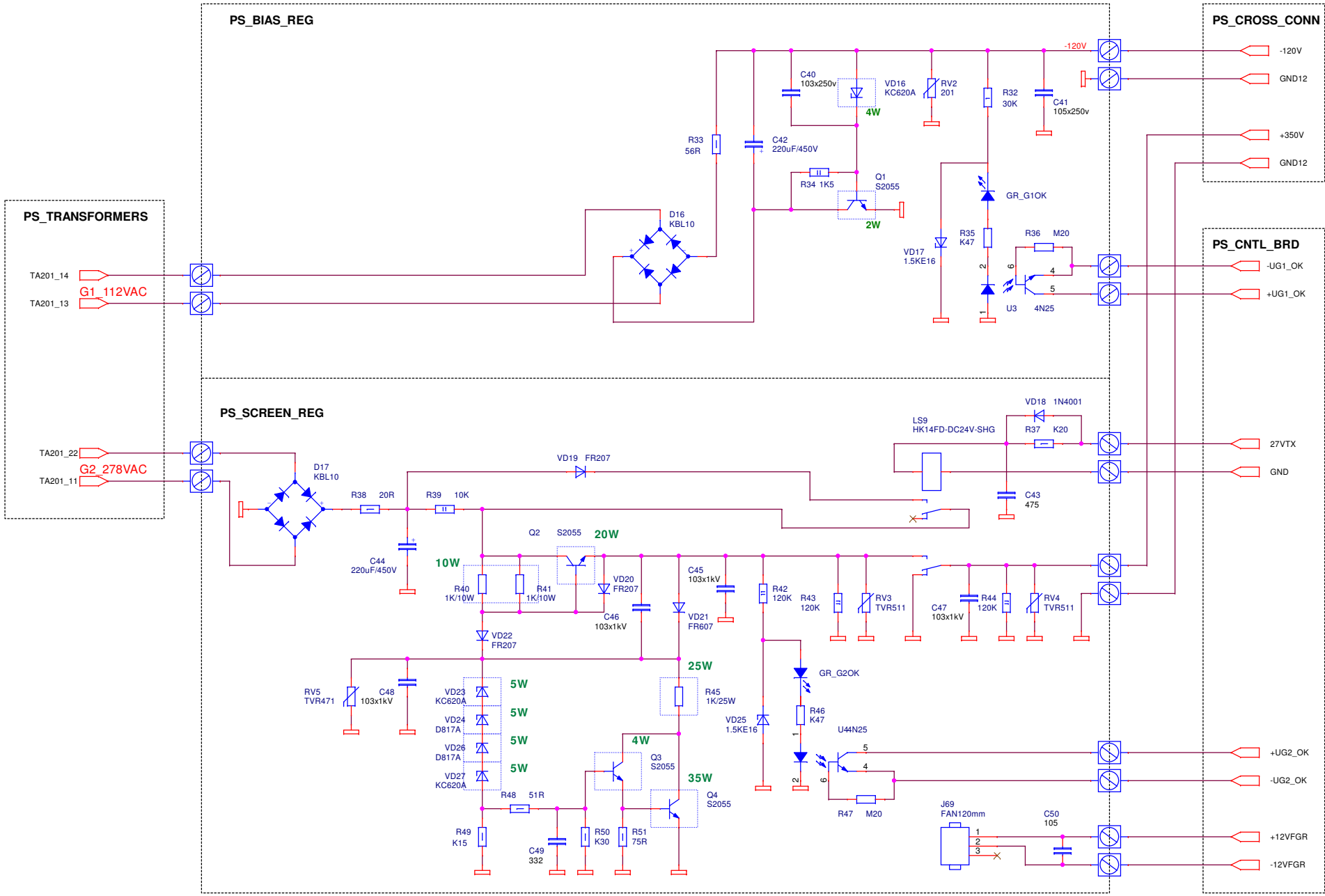
Title		
<b>CROSS_CABLE</b>		
Size	Document Number	Rev
A4	PA 2xGU43 RW3XA_RW3XW	0.2
Date:	Tuesday, February 21, 2017	Sheet 1 of 15



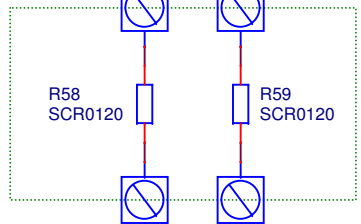
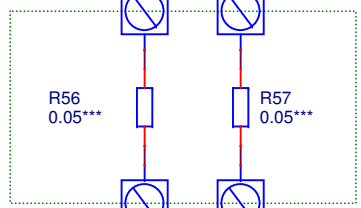
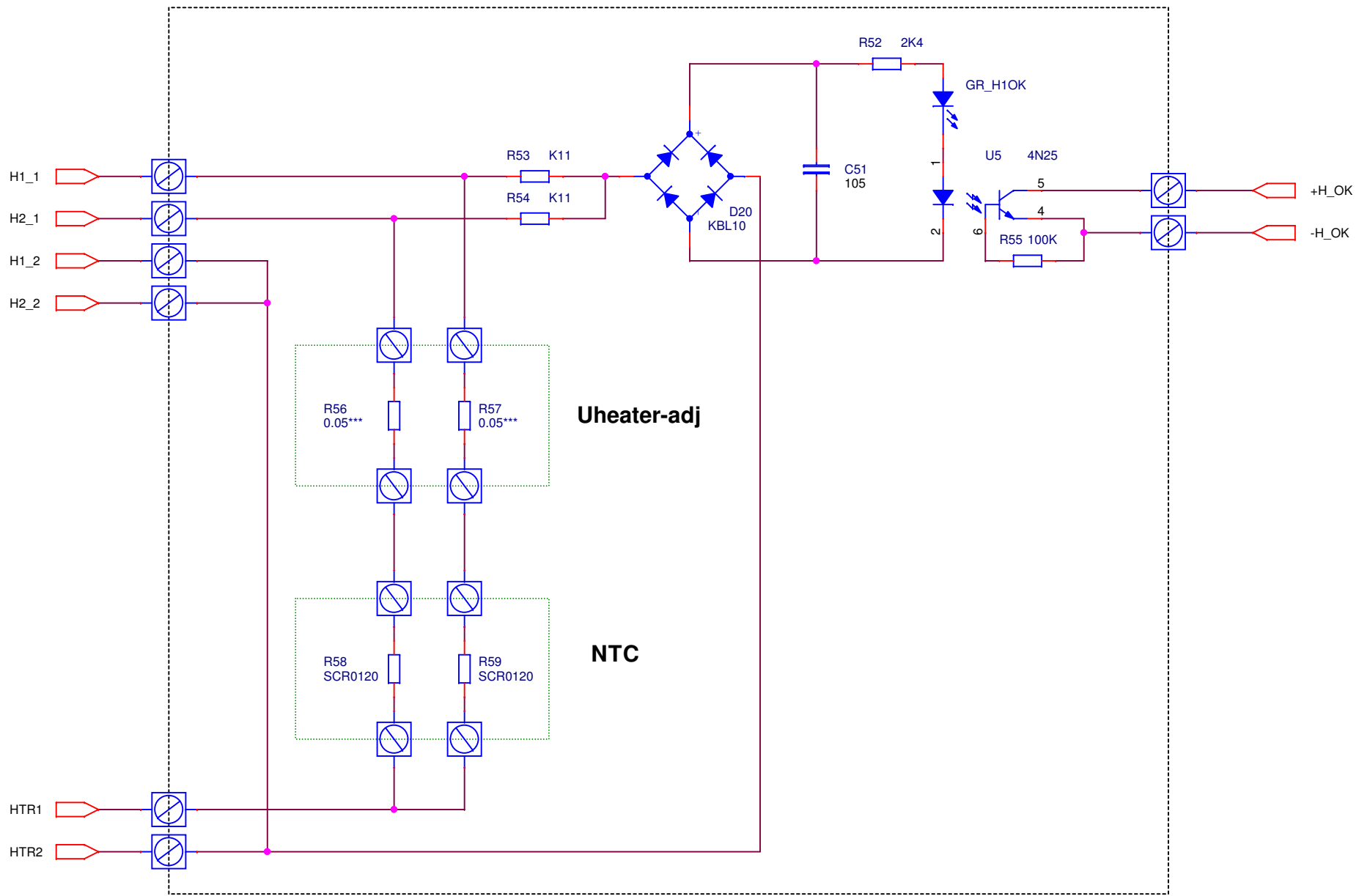
Title			<b>PI NETWORK MODS</b>		
Size	Document Number				Rev
A4	PA 2xGU43 RW3XA_RW3XW				
Date:	Tuesday, February 21, 2017	Sheet	2	of	15



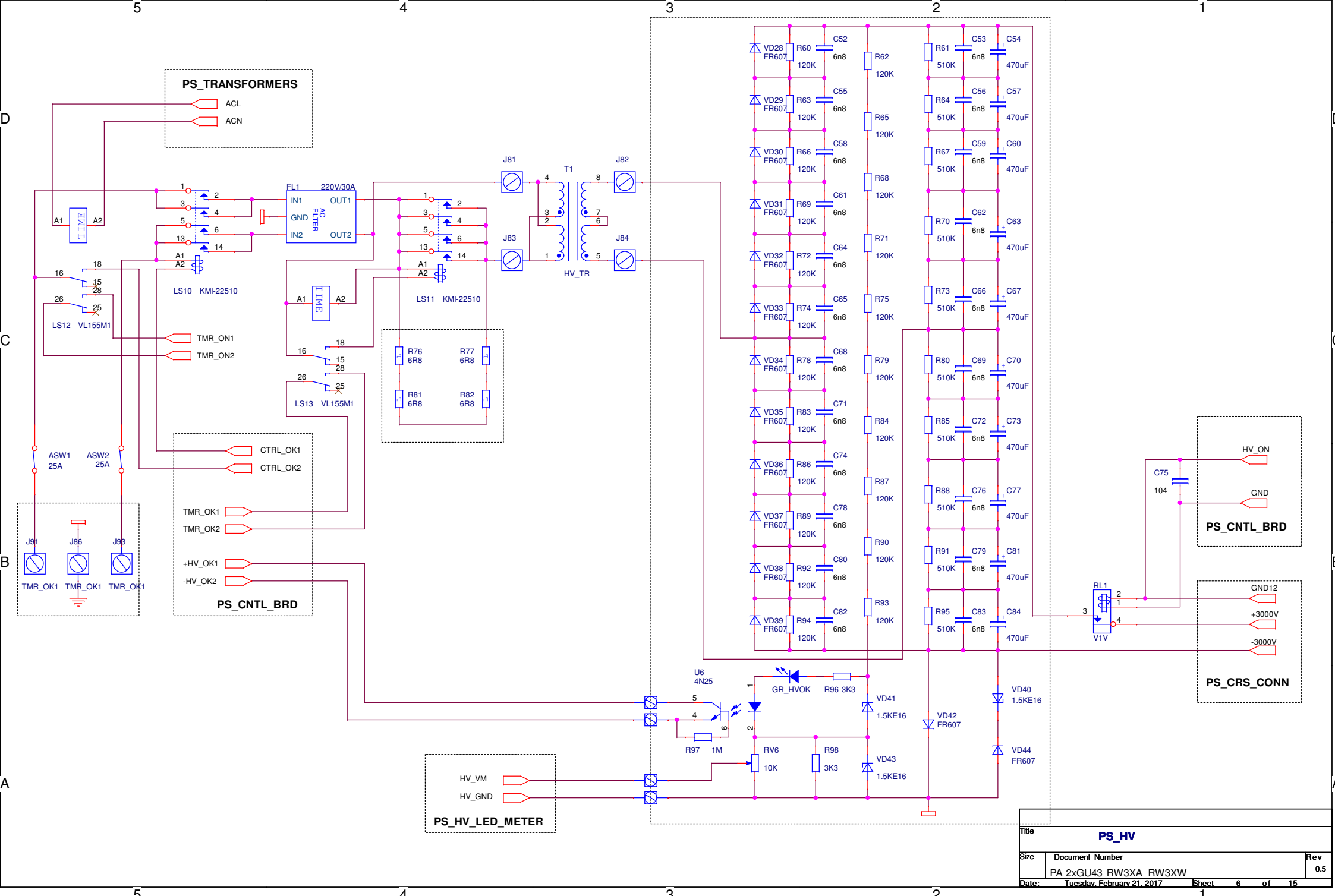
Title			<b>PS_CNTL_BRD_V2</b>		
Size	Document Number		Rev		
	PA 2xGU43 RW3XA_RW3XW				0.9
Date:	Tuesday, February 21, 2017	Sheet	3	of	15



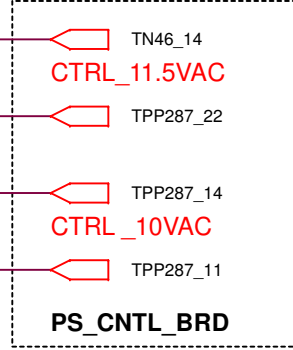
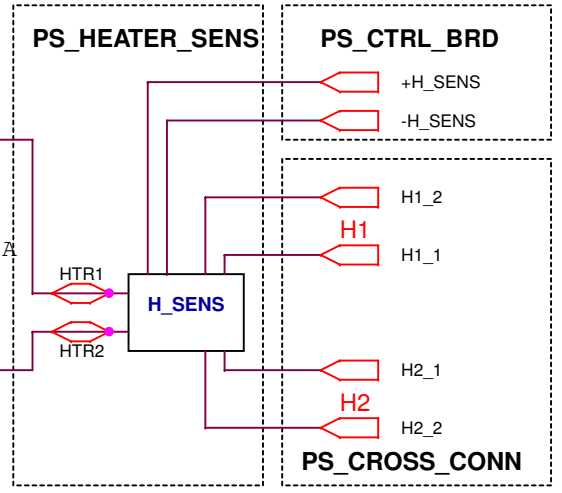
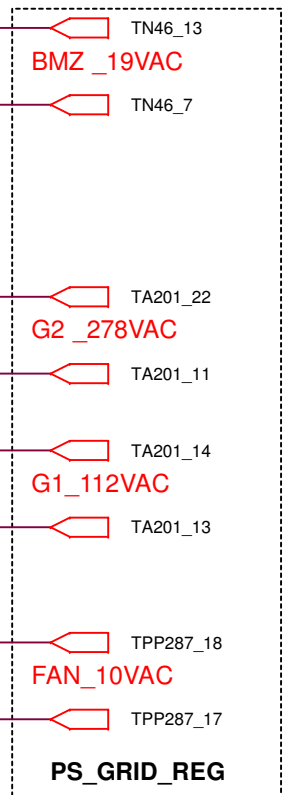
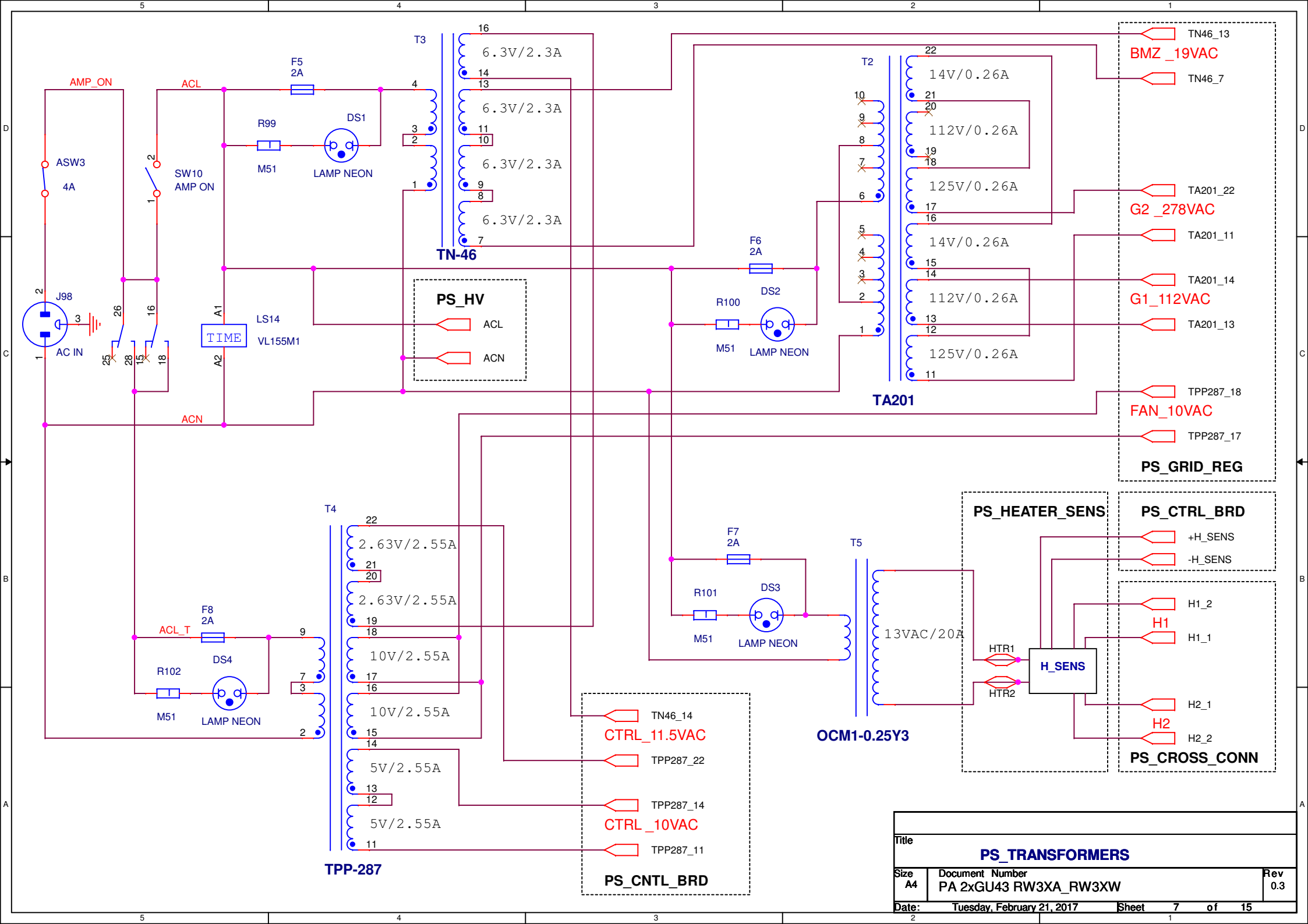
Title		
<b>PS_GRID_REG</b>		
Size	Document Number	Rev
	PA 2xGU43 RW3XA RW3XW	0.4
Date:	Tuesday, February 21, 2017	Sheet 4 of 15



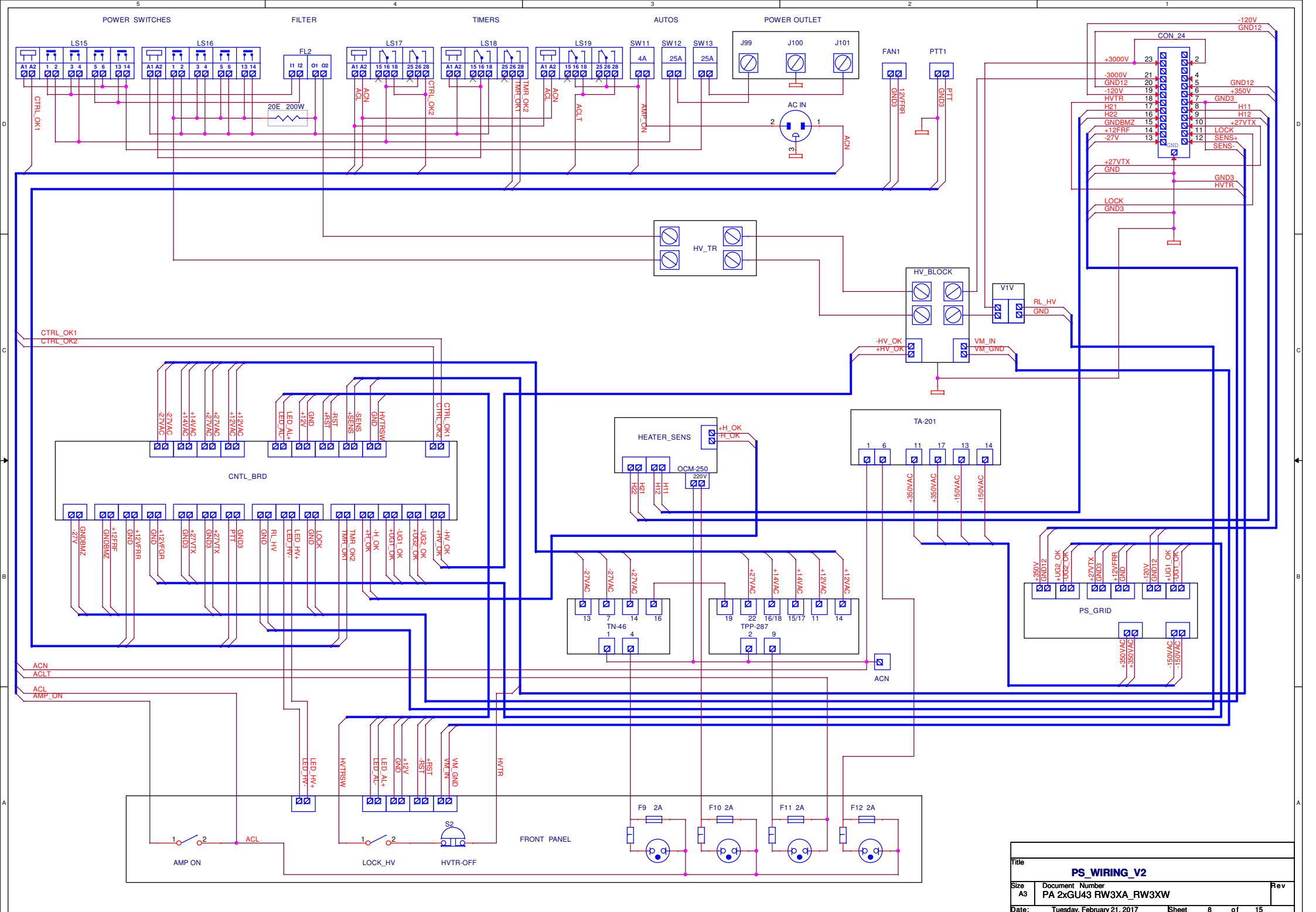
Title		
<b>PS_HEATER_SENS</b>		
Size	Document Number	Rev
A4	PA 2xGU43 RW3XA_RW3XW	0.1
Date:	Tuesday, February 21, 2017	Sheet 5 of 15



Title			<b>PS_HV</b>		
Size	Document Number				Rev
	PA 2xGU43 RW3XA RW3XW				0.5
Date:	Tuesday, February 21, 2017	Sheet	6	of	15

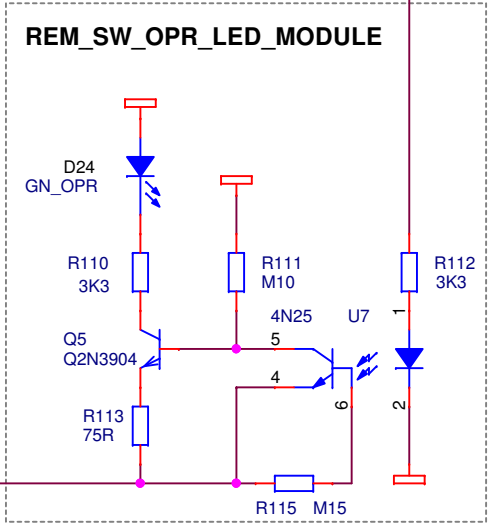
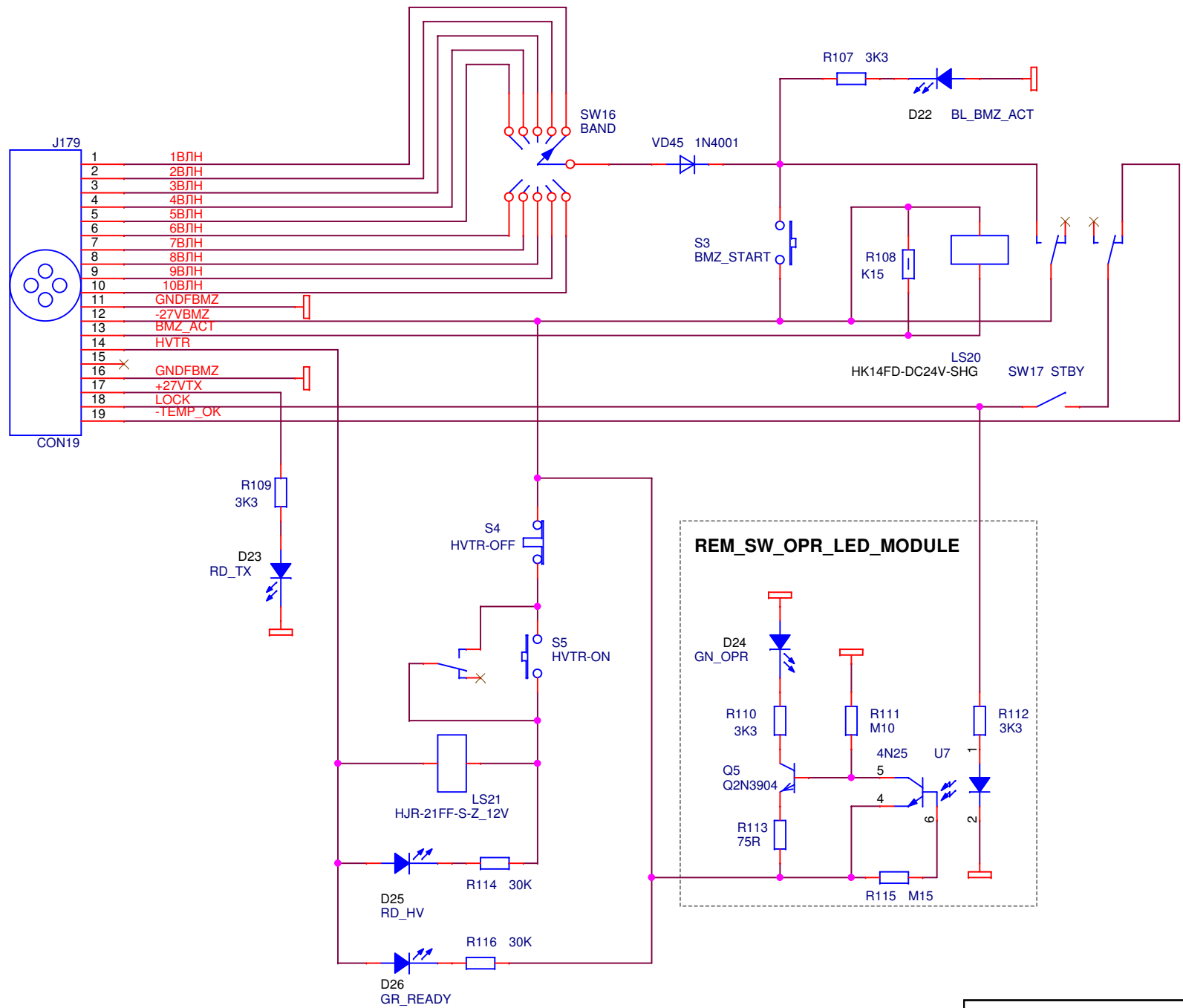


Title		
<b>PS_TRANSFORMERS</b>		
Size	Document Number	Rev
A4	PA 2xGU43 RW3XA_RW3XW	0.3
Date:	Tuesday, February 21, 2017	Sheet 7 of 15

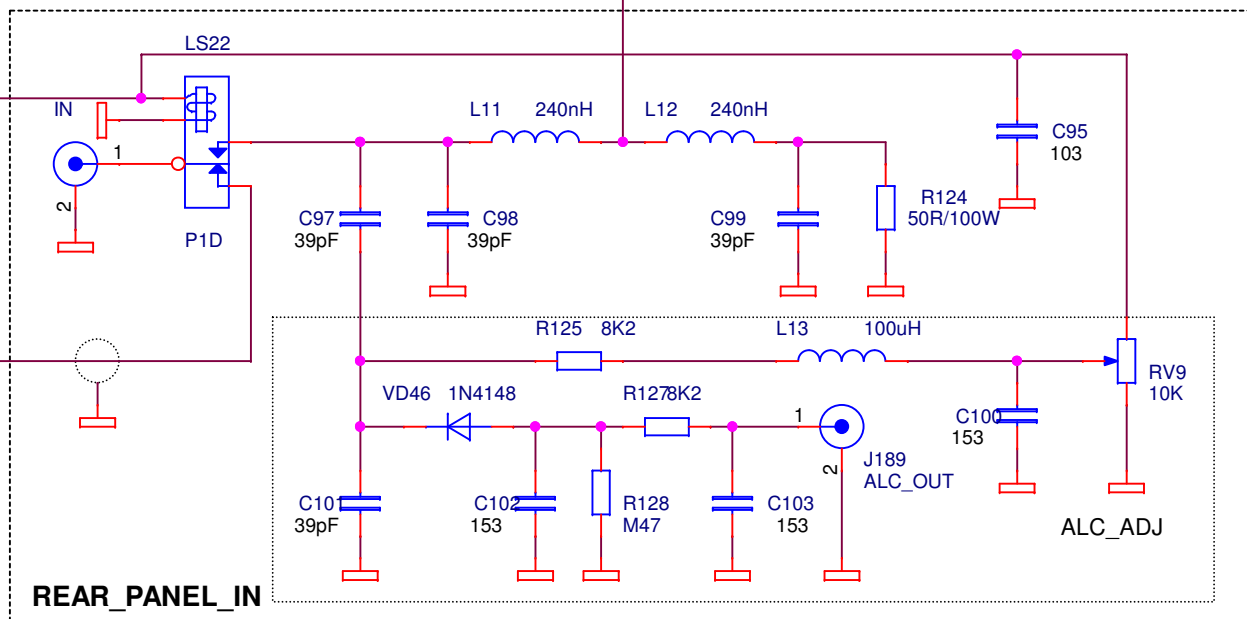
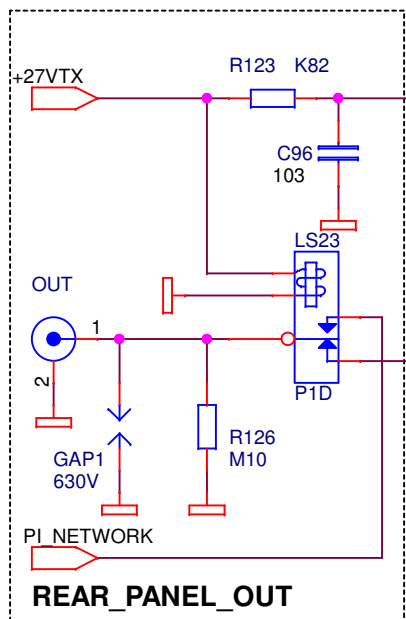
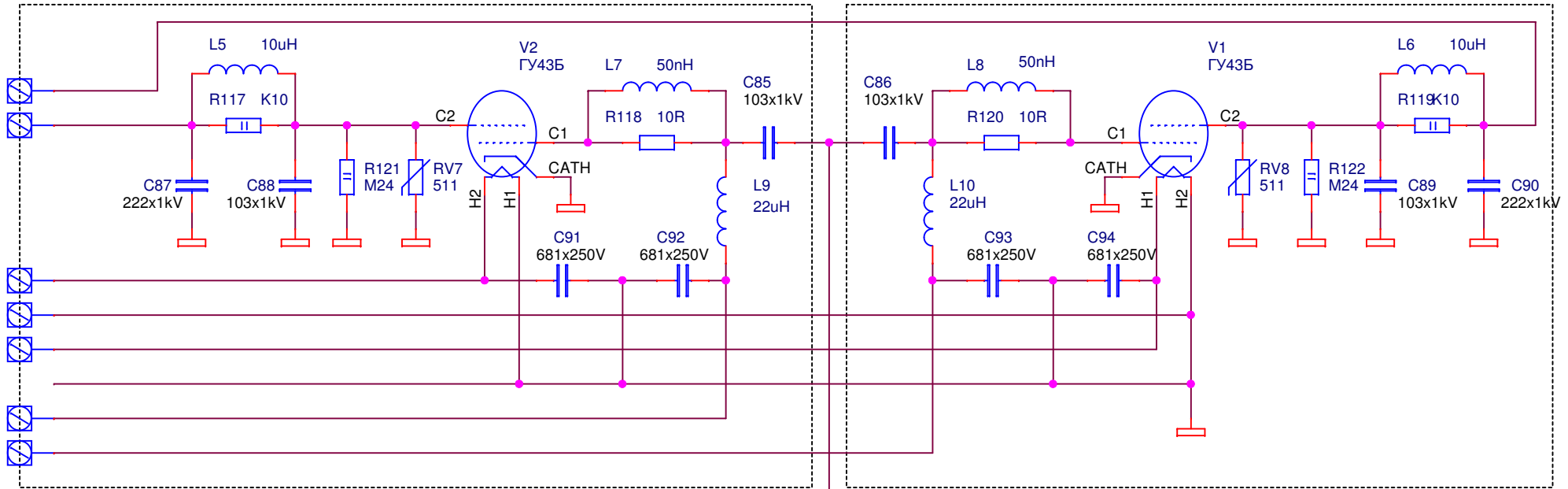


Title		<b>PS_WIRING_V2</b>	
Size	A3	Document Number	PA 2xGU43 RW3XA_RW3XW
Date:	Tuesday, February 21, 2017	Sheet	8 of 15

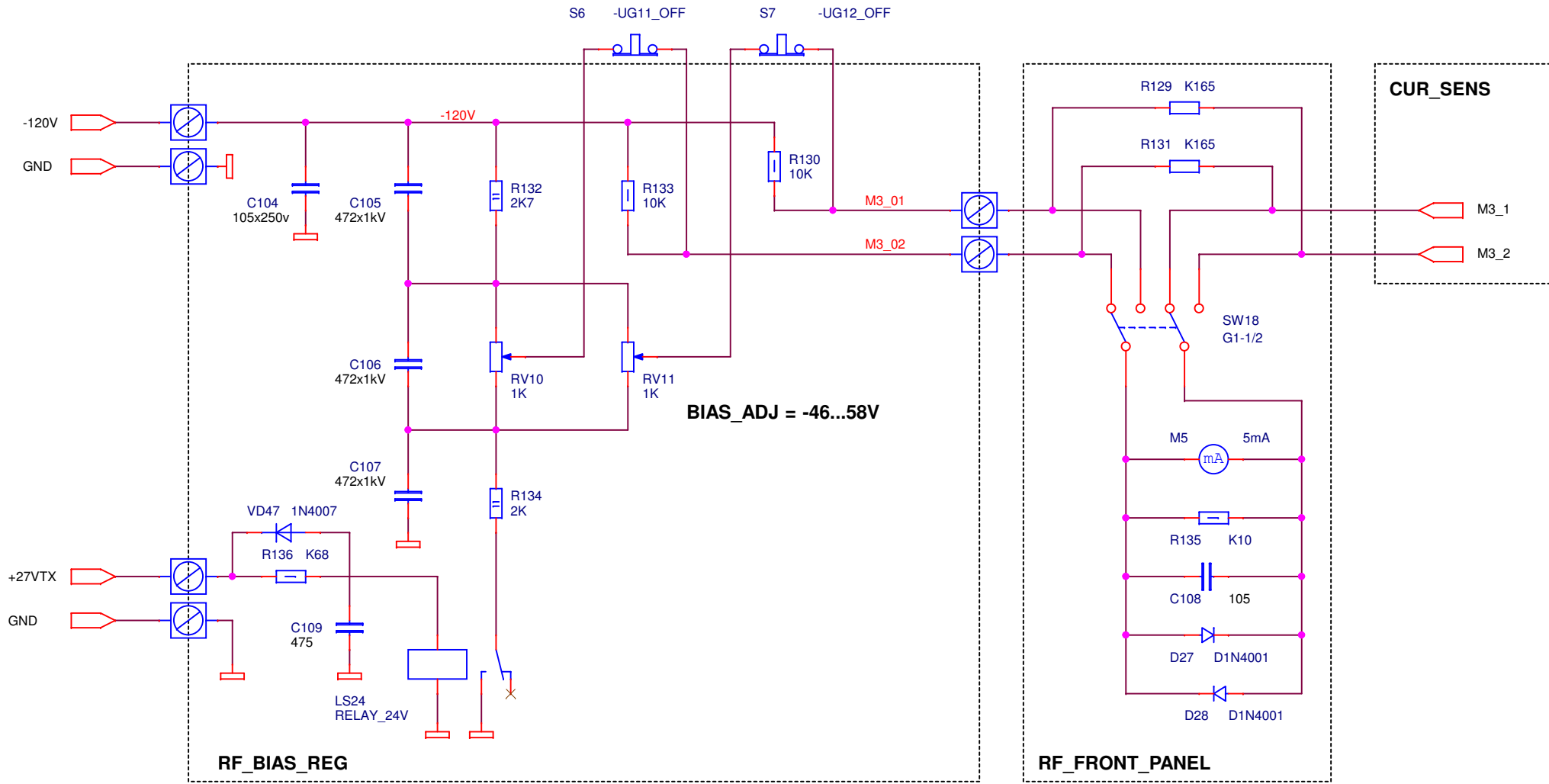




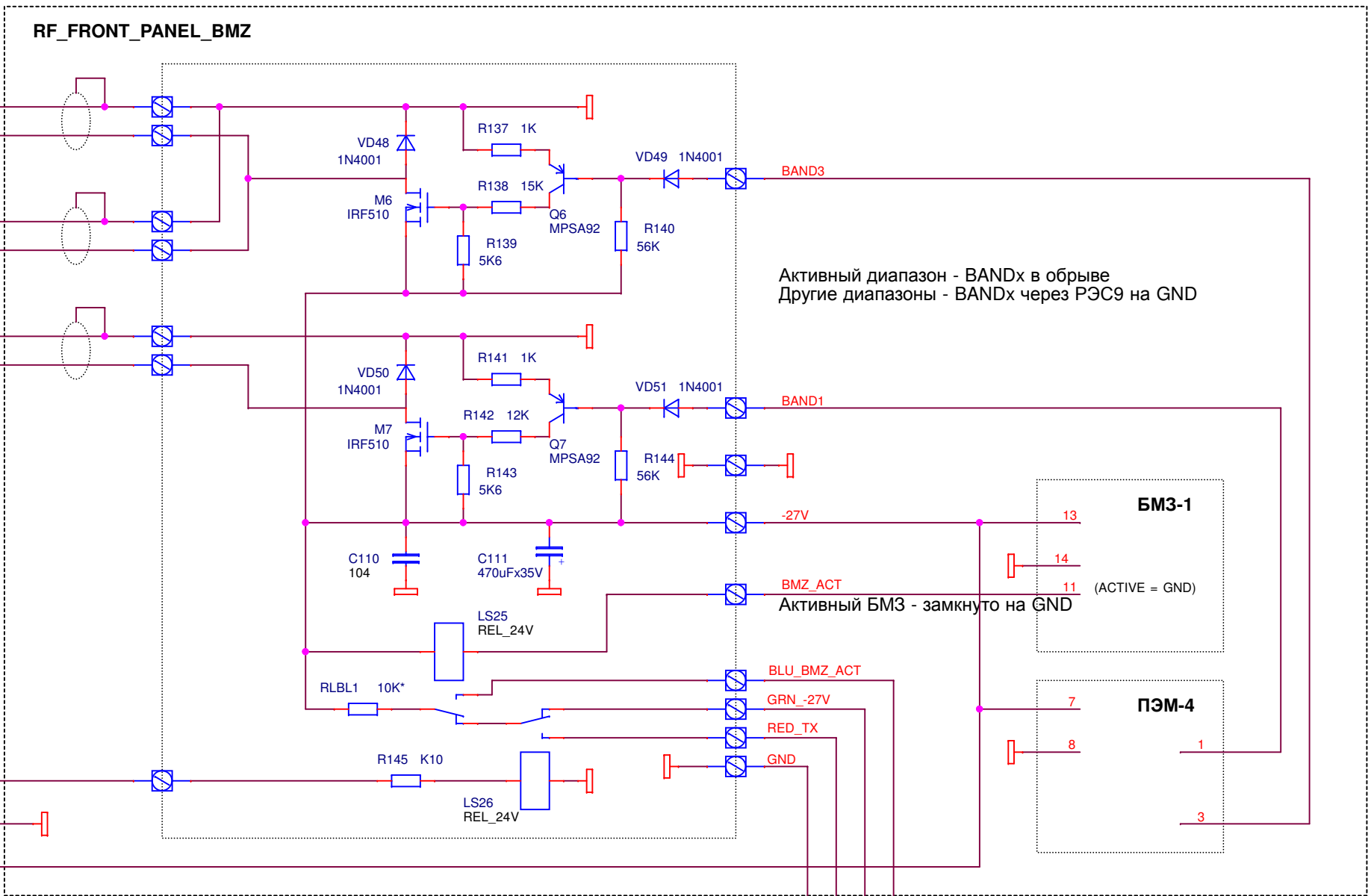
Title		
<b>REM_CNTL_SW</b>		
Size	Document Number	Rev
A4	PA 2xGU43 RW3XA_RW3XW	0.3
Date:	Tuesday, February 21, 2017	Sheet 9 of 15



Title		
<b>RF_2XGU43B</b>		
Size	Document Number	Rev
A	PA 2xGU43 RW3XA_RW3XW	0.3
Date:	Tuesday, February 21, 2017	Sheet 10 of 15

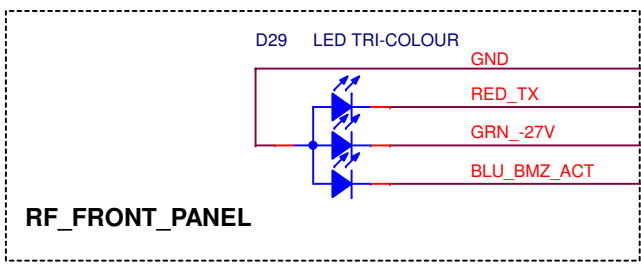
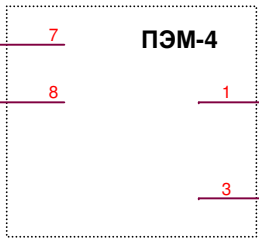
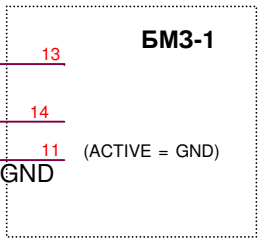


Title		
<b>RF_BIAS_REG</b>		
Size	Document Number	Rev
A4	PA 2xGU43 RW3XA_RW3XW	0.2
Date:	Tuesday, February 21, 2017	Sheet 11 of 15



Активный диапазон - BANDx в обрыве  
 Другие диапазоны - BANDx через PЭС9 на GND

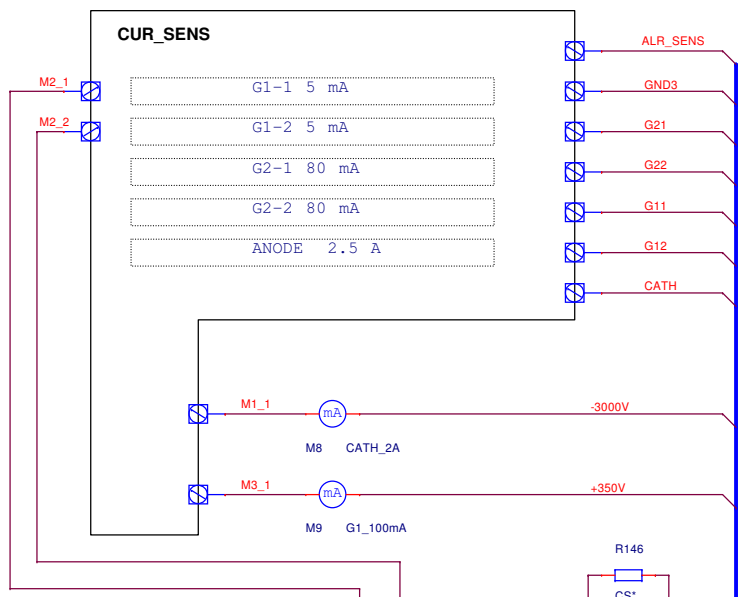
Активный БМЗ - замкнуто на GND



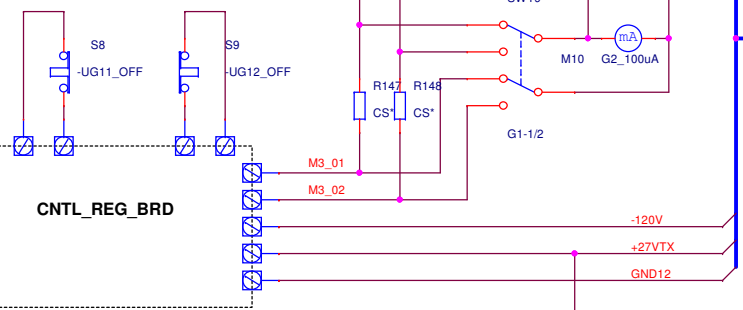
Title			<b>RF_BMZ_V2</b>		
Size	Document Number				Rev
A4	PA 2xGU43 RW3XA_RW3XW				0.1
Date:	Tuesday, February 21, 2017			Sheet	12 of 15

**FRONT\_PANEL**

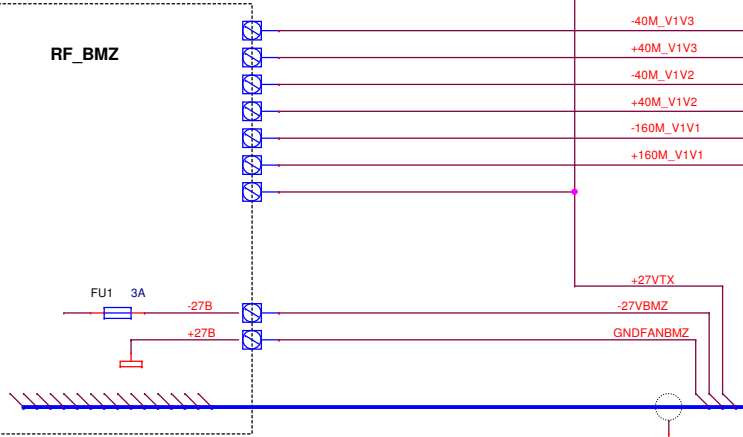
**CUR\_SENS**



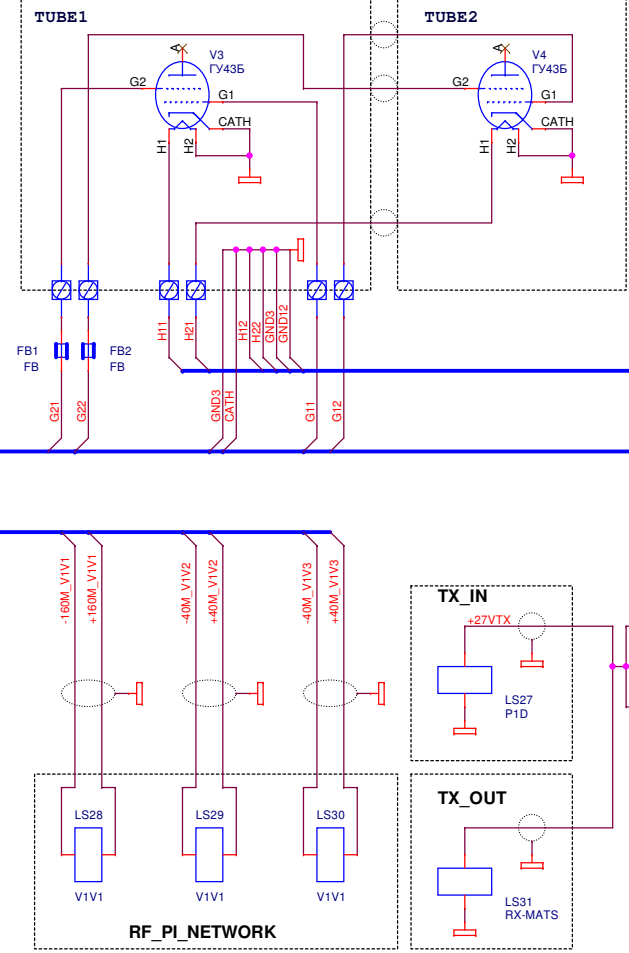
**CNTL\_REG\_BRD**



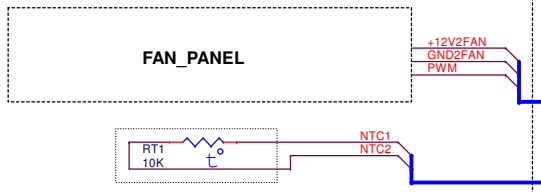
**RF\_BMZ**



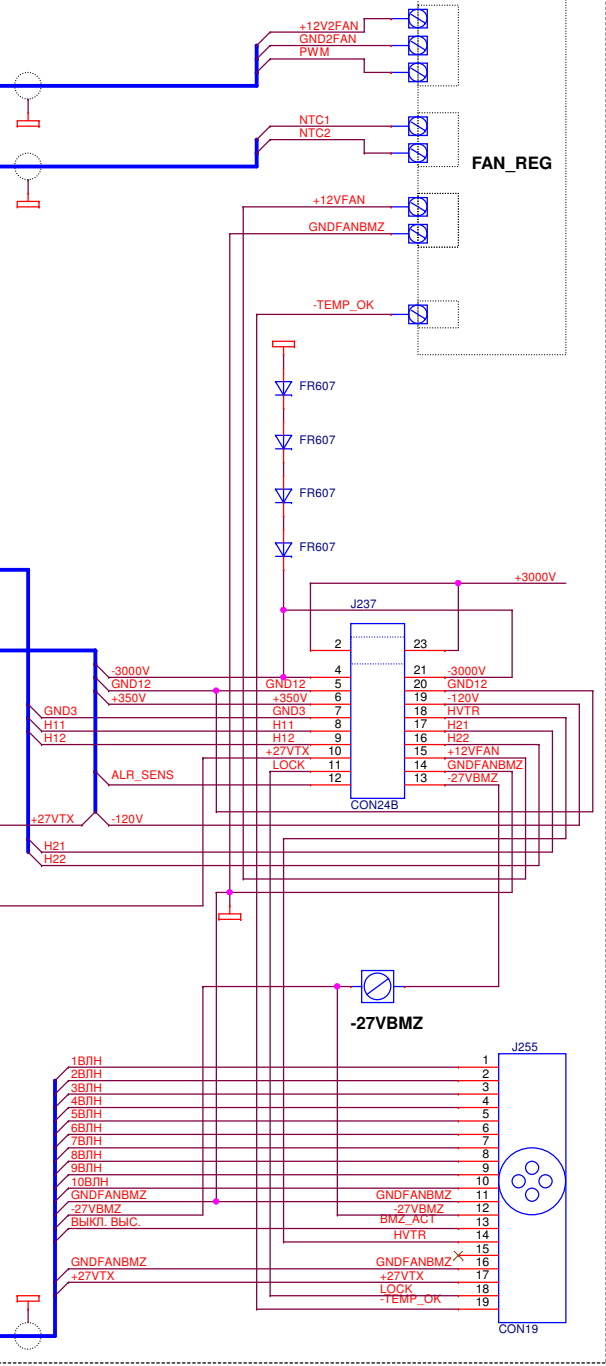
**RF\_MODULE**

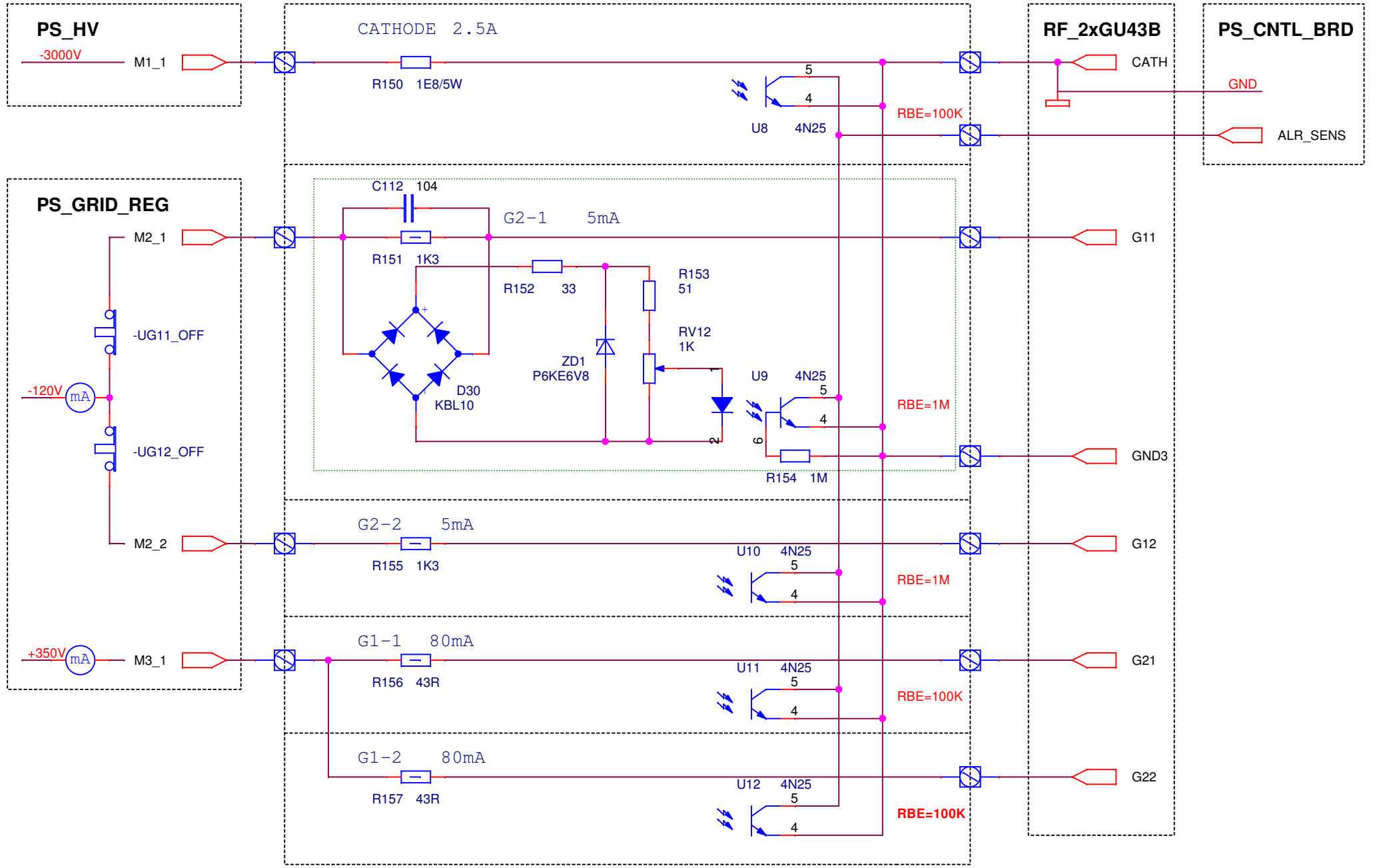


**FAN\_PANEL**

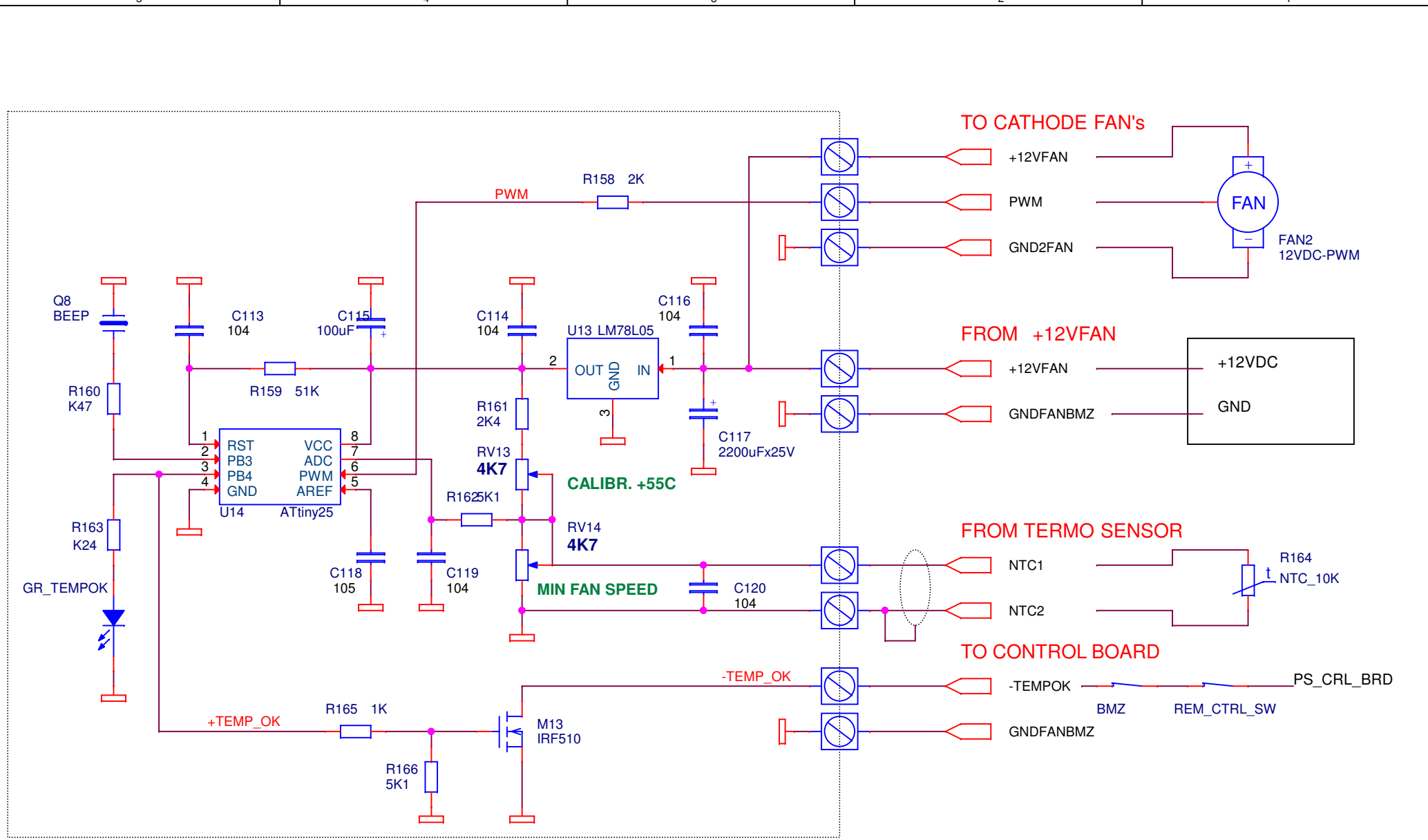


**REAR\_PANEL**





Title		
<b>RF_CUR_SENS</b>		
Size	Document Number	Rev
A	PA 2xGU43 RW3XA_RW3XW	0.4
Date:	Tuesday, February 21, 2017	Sheet 14 of 15



Title		
<b>RF_FAN_REGULATOR</b>		
Size	Document Number	Rev
A	PA 2xGU43 RW3XA_RW3XW	0.2
Date:	Tuesday, February 21, 2017	Sheet 15 of 15