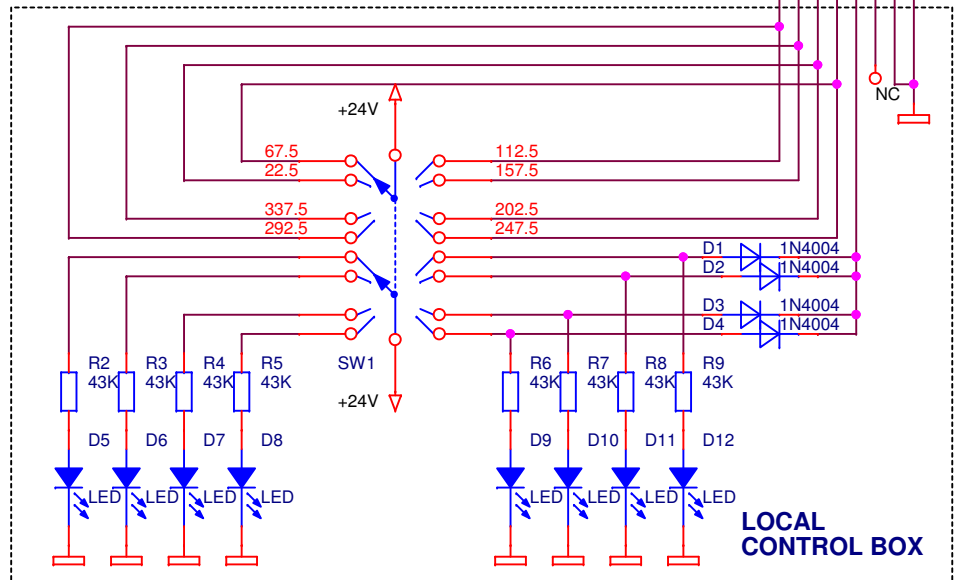
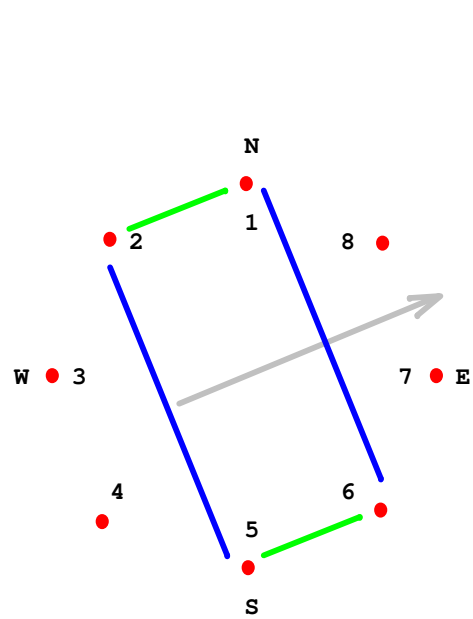
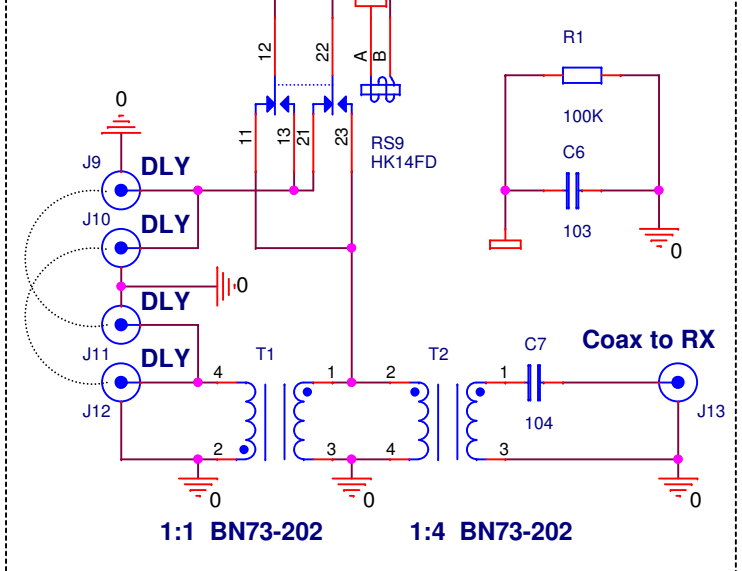


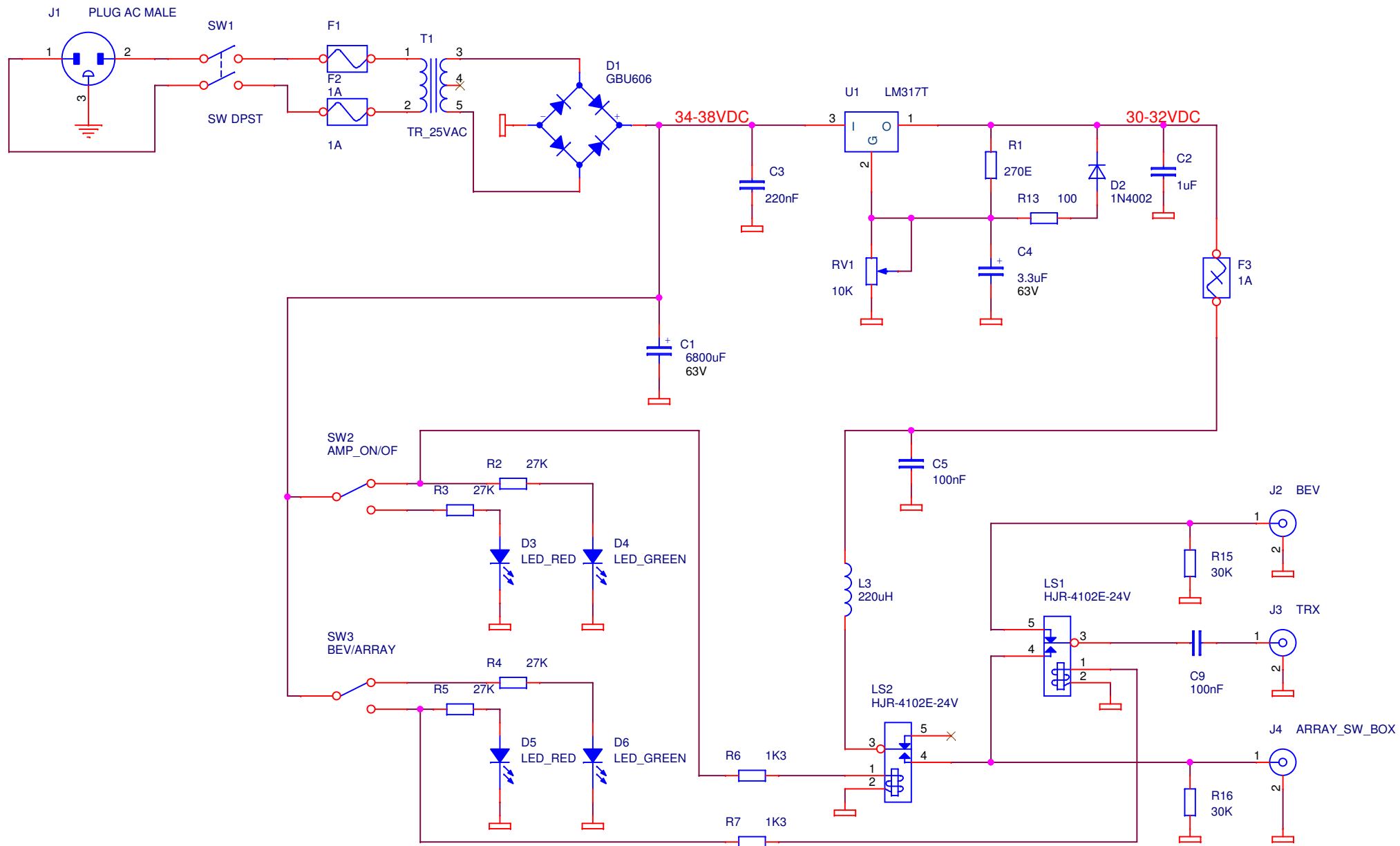
**REMOTE SWITCH BOX**



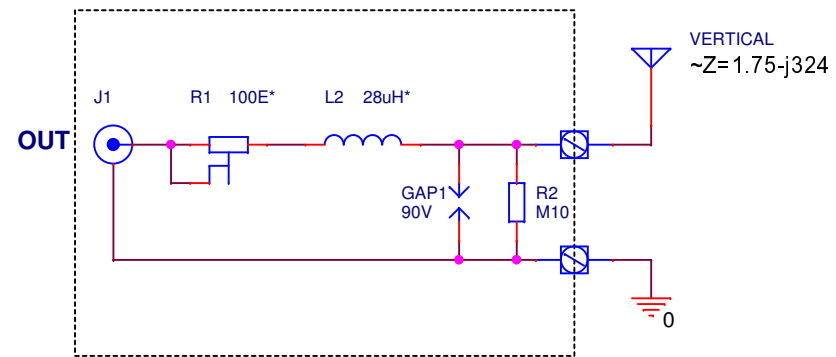
**UTP**

**LOCAL CONTROL BOX**

Title			
<b>ARRAY SWITCH BOX &amp; CONTROL</b>			
Size	Document Number	8x circle array @ RW3XW	Rev
A4			
Date:	Tuesday, March 28, 2017	Sheet	1 of 3
2		1	3



Title			
<b>POWER SUPPLY</b>			
Size	Document Number	8x circle array @ RW3XW	Rev
A4			
Date:		Sunday, April 02, 2017	Sheet 1 of 2
2			



Title			
<b>EL_matching</b>			
Size	Document Number	8x circle array @ RW3XW	Rev
A4			
Date:	Sunday, April 02, 2017	Sheet	1 of 1
2		1	1